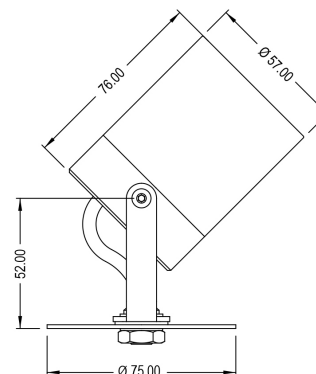


Oyster Spot

An anodised aluminium LED baffled spotlight, the Oyster Spot is our most powerful, flexible spotlight suitable for interior and exterior use. It's brilliant at lighting up trees, walls, columns along with a multitude of other architectural features.

It features an anti-glare baffle and toughened glass lens as standard, making it a robust fitting for a multitude of applications. It uses a CRI XHP 35.2 LED, which produces a warm 2700k tungsten-like light with a CRI of 95.6.



Format	Product code	Installation	Beam angle	Weight	Cut out	Wattage	Efficiency	Forward voltage	Current	Colour temperature	IP Rating	Lumen output	Standard finish
Adjustable Tree	E6424	Exterior	12°	0.4kg	-	8.4w	93lm/w	12vdc	-	2700k	IP67	615lm	Black Anodised
Adjustable Tree	E6425	Exterior	24°	0.4kg	-	8.4w	93lm/w	12vdc	-	2700k	IP67	656lm	Black Anodised
Adjustable Tree	E6426	Exterior	38°	0.4kg	-	8.4w	93lm/w	12vdc	-	2700k	IP67	796lm	Black Anodised
Adjustable Spike	E6417	Exterior	12°	0.4kg	-	8.4w	93lm/w	12vdc	-	2700k	IP67	615lm	Black Anodised
Adjustable Spike	E6418	Exterior	24°	0.4kg	-	8.4w	93lm/w	12vdc	-	2700k	IP67	656lm	Black Anodised
Adjustable Spike	E6419	Exterior	38°	0.4kg	-	8.4w	93lm/w	12vdc	-	2700k	IP67	796lm	Black Anodised
Adjustable Disc	E6414	Exterior	12°	0.4kg	-	8.4w	93lm/w	12vdc	-	2700k	IP67	615lm	Black Anodised
Adjustable Disc	E6415	Exterior	24°	0.4kg	-	8.4w	93lm/w	12vdc	-	2700k	IP67	656lm	Black Anodised
Adjustable Disc	E6416	Exterior	38°	0.4kg	-	8.4w	93lm/w	12vdc	-	2700k	IP67	796lm	Black Anodised

Additional finishes are available on request. All fittings will require a driver. Photometry (IES file) and installation instructions are available on request. Patent pending. Designs registered with GOV.UK