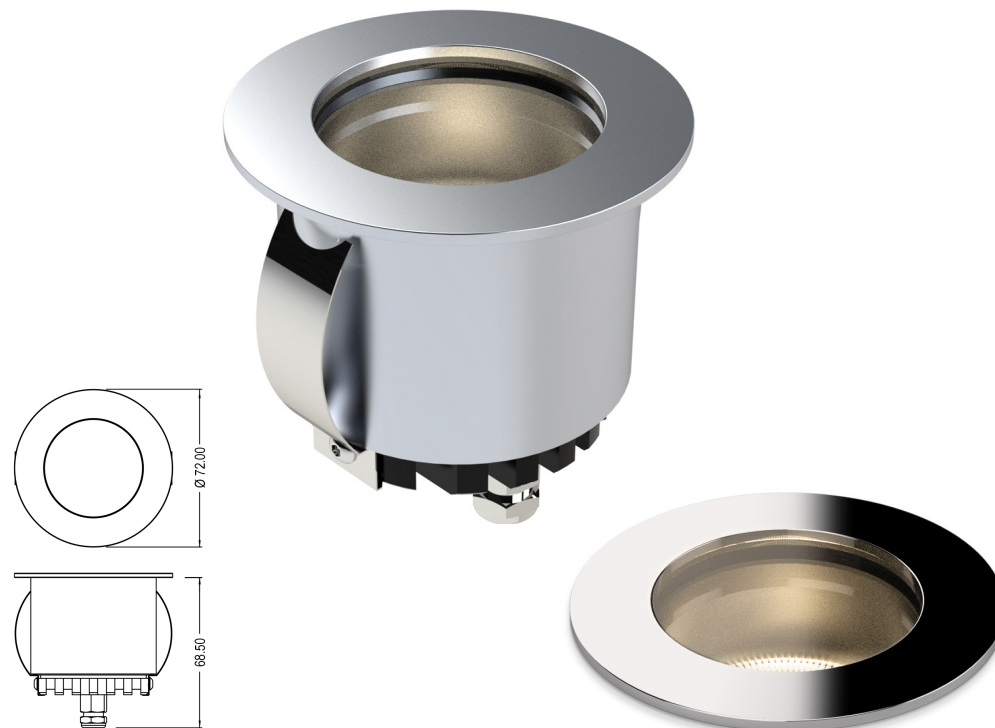


Oyster

This exquisitely turned; in-ground solid stainless steel fixed or adjustable uplight is suitable for both interior and exterior use.

This fixed uplight is available in narrow, medium and wide beam angles to accommodate for a variety of special lighting effects. Supplied with a baffle to reduce glare, it incorporates a fixed Citizen COB LED, and features 'walk-on' clear toughened glass.



Format	Product code	Installation	Beam angle	Weight	Cut out	Wattage	Efficiency	Forward voltage	Current	Colour temperature	IP Rating	Lumen output	Standard finish
Fixed	M3202	Interior/ Exterior	12°	0.3kg	65mm	9.1w	126lm/w	34.9v	260mA	2700k	IP67	615lm	Polished/Brushed stainless
Fixed	M3201	Interior/ Exterior	24°	0.3kg	65mm	9.1w	126lm/w	34.9v	260mA	2700k	IP67	656lm	Polished/Brushed stainless
Fixed	M3200	Interior/ Exterior	38°	0.3kg	65mm	9.1w	126lm/w	34.9v	260mA	2700k	IP67	796lm	Polished/Brushed stainless
Adjustable	M3727	Interior/ Exterior	12°	0.3kg	65mm	8.4w	90lm/w	11.9v	700mA	2700k	IP67	565lm	Polished/Brushed stainless
Adjustable	M3728	Interior/ Exterior	24°	0.3kg	65mm	8.4w	90lm/w	11.9v	700mA	2700k	IP67	575lm	Polished/Brushed stainless
Adjustable	M3729	Interior/ Exterior	38°	0.3kg	65mm	8.4w	90lm/w	11.9v	700mA	2700k	IP67	585lm	Polished/Brushed stainless

Additional finishes are available on request. All fittings will require a driver. Photometry (IES file) and installation instructions are available on request. Patent pending. Designs registered with GOV.UK

