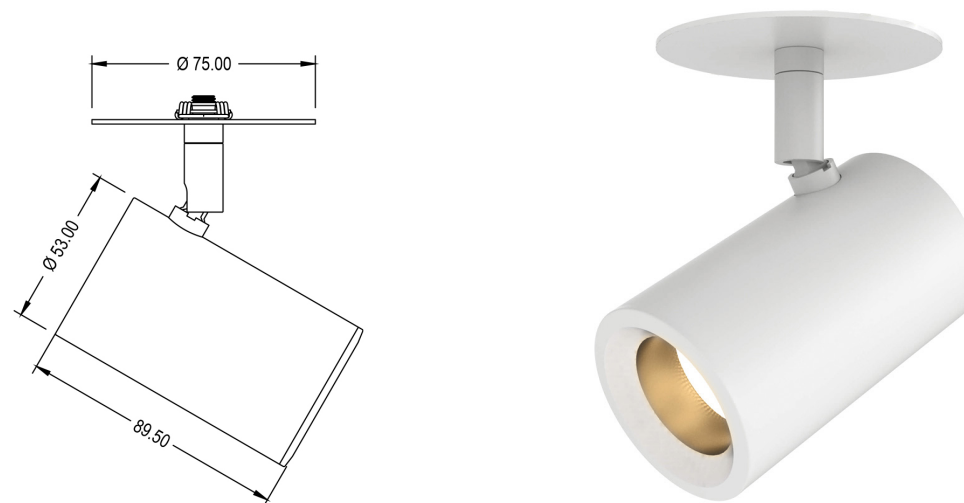


# Dot Spotlight

Due to numerous requests for a dedicated LED, simple tubular spotlight, the Dot Spotlight range is fully adjustable, and available with an antiglare baffle as standard for visual comfort.

It's perfect for lighting artwork, feature walls and offer great flexibility in restaurants and galleries. It is available with three mountings: Screwfix disc, Butterfly disc or Shallow besa.



Format	Product code	Installation	Beam angle	Weight	Cut out	Wattage	Efficiency	Forward voltage	Current	Colour temperature	IP Rating	Lumen output	Standard finish
Adjustable Screwfix Disc	S4500	Interior	20°	0.3kg	Allow for connection	9.0w	93lm/w	37.0v	260mA	2700k	IP20	587lm	White
Adjustable Screwfix Disc	S4506	Interior	26°	0.3kg	Allow for connection	9.0w	93lm/w	37.0v	260mA	2700k	IP20	587lm	White
Adjustable Screwfix Disc	S4512	Interior	48°	0.3kg	Allow for connection	9.0w	93lm/w	37.0v	260mA	2700k	IP20	587lm	White
Adjustable Butterfly Disc	S4501	Interior	20°	0.3kg	Allow for connection	9.0w	93lm/w	37.0v	260mA	2700k	IP20	587lm	White
Adjustable Butterfly Disc	S4507	Interior	26°	0.3kg	Allow for connection	9.0w	93lm/w	37.0v	260mA	2700k	IP20	587lm	White
Adjustable Butterfly Disc	S4513	Interior	48°	0.3kg	Allow for connection	9.0w	93lm/w	37.0v	260mA	2700k	IP20	587lm	White
Adjustable Shallow Besa	S4502	Interior	20°	0.3kg	Allow for connection	9.0w	93lm/w	37.0v	260mA	2700k	IP20	587lm	White
Adjustable Shallow Besa	S4508	Interior	26°	0.3kg	Allow for connection	9.0w	93lm/w	37.0v	260mA	2700k	IP20	587lm	White
Adjustable Shallow Besa	S4514	Interior	48°	0.3kg	Allow for connection	9.0w	93lm/w	37.0v	260mA	2700k	IP20	587lm	White

Additional finishes are available on request. All fittings will require a driver. Photometry (IES file) and installation instructions are available on request. Patent pending. Designs registered with GOV.UK