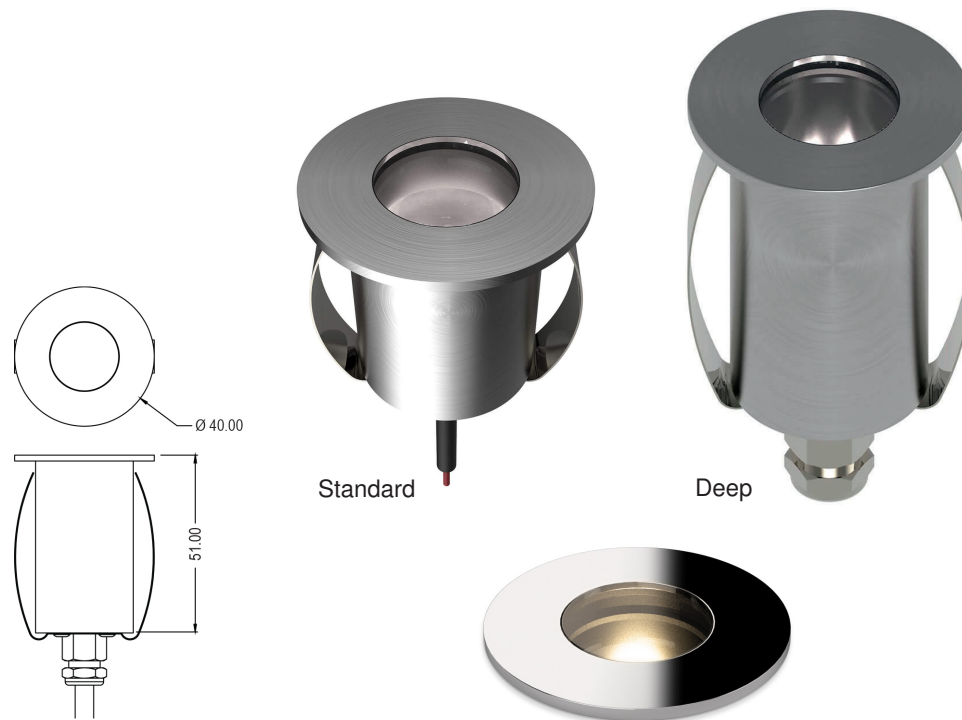


Cockle Uplight

A solid stainless steel in-ground LED baffled uplight, the Cockle range suitable for interior and exterior use, and wonderful at lighting feature walls, columns and architectural elements.

Available in a standard, deep, or marine version. It features a 'walk-on' toughened glass lens, making it a hardwearing fitting for a multitude of applications. It uses a Citizen COB LED, which produces a warm 2700k tungsten-like light with a CRI of 95.6.



Format	Product code	Installation	Beam angle	Weight	Cut out	Wattage	Efficiency	Forward voltage	Current	Colour temperature	IP Rating	Lumen output	Standard finish
Standard	M3028	Interior/ Exterior	35°	0.03kg	34mm	2.3w	121lm/w	9.0v	260mA	2700k	IP67	205lm	Brushed/Polished stainless
Deep	M3128	Interior/ Exterior	35°	0.05kg	34mm	2.3w	121lm/w	9.0v	260mA	2700k	IP67	205lm	Brushed/Polished stainless
Marine	X5907	Interior/ Exterior	35°	0.05kg	32.5mm	2.3w	121lm/w	9.0v	260mA	2700k	IP67	205lm	Brushed/Polished stainless

Additional finishes are available on request. All fittings will require a driver. Photometry (IES file) and installation instructions are available on request. Patent pending. Designs registered with GOV.UK

